

**AMP** AMP Connect

MAIN MENU HELP  
FAMILIES REGISTRATION

Alphabetical Picture Part Number  
**SEARCH SEARCH SEARCH**

Go To Step Search™ Screen

**1-66507-0** -- 1 of 1 products

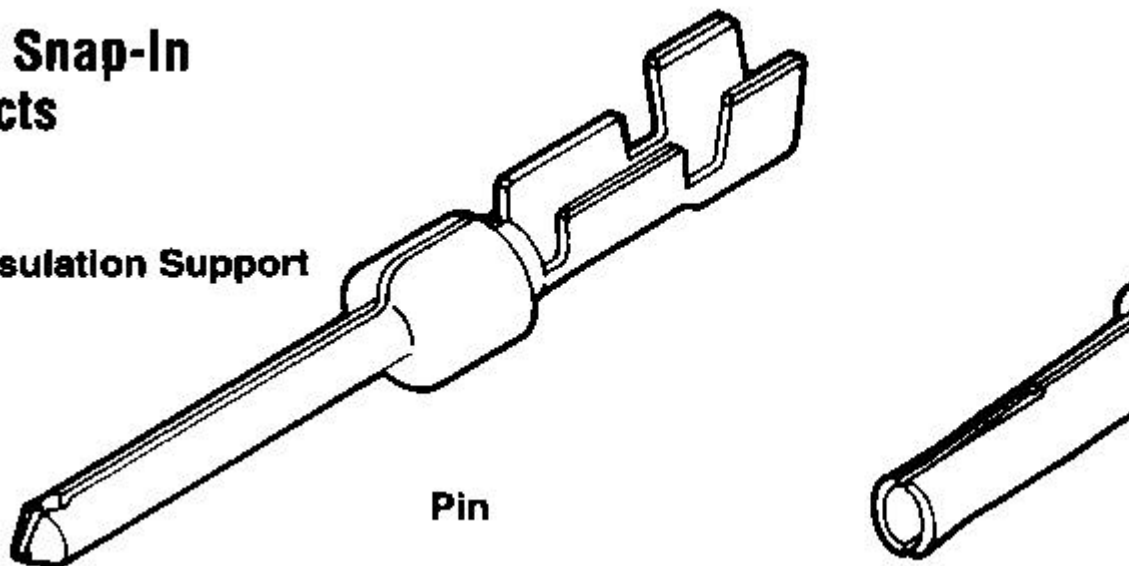
**AMPLIMITE Subminiature D Connectors**  
**AMPLIMITE Subminiature D Cable Connectors**

- General **INFO**
- Sales **INFO**
- Customer Drawings **SPECIFICATIONS**

Please use Customer Drawing or CAD file for design activity; line art and other pictures are general representations of product dimensions.

## Crimp Snap-In Contacts

With Insulation Support



Line art represents typical product only.

 [Line Art](#)

### *Searchable Features:*

<b>Product Type</b>	Contact
<b>Pin/Socket</b>	Pin
<b>Wire Termination Type</b>	Crimp
<b>Wire Range</b>	28-24 [0.08-0.20 <sup>2</sup> ] AWG [mm]
<b>Wire Insulation Diameter</b>	.040 [1.02] Max. in. [mm]
<b>Mating Connector Lock</b>	Without
<b>Contact Mating Area Plating</b>	Gold Flash
<b>Contact Size</b>	20
<b>Insulation Support</b>	Yes
<b>Product Series</b>	HDP-20
<b>Grade</b>	Standard

### *Other Properties:*

<b>Contact Retention in Housing</b>	Snap-In
<b>Contact Material</b>	Brass
<b>Solder Tail Plating</b>	Gold Flash over Nickel
<b>Packaging Method</b>	Loose Piece
<b>Pin Diameter</b>	.040 [1.02] in. [mm]
<b>CERTI-CRIMP Hand Tool</b>	90302-1
<b>CERTI-CRIMP Hand Tool Color Code</b>	Blue Dot
<b>PRO-CRIMPER II Hand Tool</b>	58448-2
<b>Used With</b>	CPC Connectors

---

[ [Main Menu](#) | [Help](#) | [Family Search](#) | [Registration](#) | [Feedback](#) ]  
[Top of Page](#)